



ARP-5515AX

NEMA 4X Waterproof Panel PC with 15-inch Touch Screen



Features

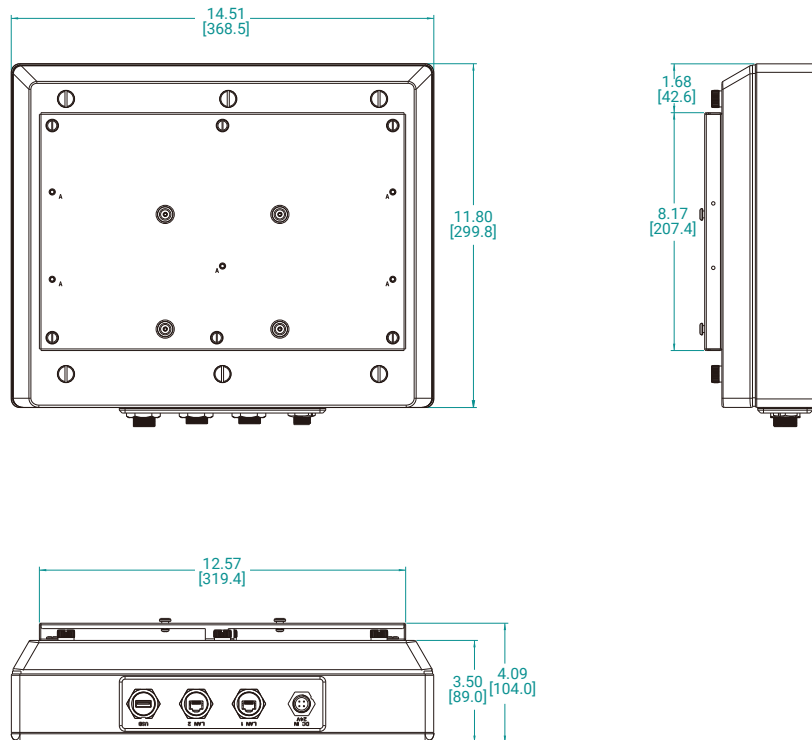
- 15" LCD, 1024 x 768 Resolution
- 5-Wire Resistive Touch
- Stainless Steel Enclosure
- Meets NEMA 4X requirements
- Intel Celeron J1900 @ 1.99GHz / Atom E3845 @ 1.91GHz CPU; Intel i7-6600U CPU
- Up to 8GB DDR3/ Up to 16GB DDR4 SO-DIMM
- 1x Gigabit Ethernet
- 2x USB 2.0 ports
- Optional 2.5" SSD
- Wi-Fi Connectivity (Optional)
- 24VDC Operating Voltage

Specifications

Model Name	ARP-5515AX	
	E01	H01
LCD Display		
Display Size (Diagonal)	15.0 inch	15.0 inch
Resolution	1024 x 768	1024 x 768
Backlight Lifetime (Hours)	50,000	50,000
Visual Characteristics		
Colors	16.7 million	16.7 million
Aspect Ratio	4:3	4:3
Viewing Angle (V/H)	140° / 170°	140° / 170°
Contrast Ratio	700 : 1	700 : 1
Brightness	300 nits (max)	300 nits (max)
Touchscreen		
Technology	5 Wire Resistive	5 Wire Resistive
Interface	USB	USB
Driver	Windows 7, Windows 10	Windows 7, Windows 10
Enclosure		
NEMA 4	N/A	N/A
NEMA 4x	Stainless Steel	Stainless Steel
System		
CPU	Intel Celeron J1900 @ 1.99GHz / Atom E3845 @ 1.91GHz CPU	Intel i7-6600U
Chipset	Bay Trail	By CPU
Memory	Up to 8GB DDR3L SO-DIMM	Up to 16GB DDR4 SO-DIMM
Video Controller	Intel Gen7 Intel Graphics DX 11, OGL3.2	Intel HD Graphics 520
External Video Output	N/A	N/A
Storage Option	Optional 2.5" SSD	Optional 2.5" SSD
Compact Flash	N/A	N/A
Keyboard / Mouse	USB	USB
Audio	N/A	N/A
Watchdog Timer	Programmable 1 - 255 sec	Programmable 1 - 255 sec
Remote Boot	ThinManager Ready, PXE	N/A
Expansion Slot	N/A	N/A
I/O Communication		
USB Port	2 x USB 2.0	2 x USB 2.0
Serial Port	N/A	N/A
IEEE 1394	N/A	N/A
LAN	1 x Gigabit	1 x Gigabit
Parallel	N/A	N/A
GPIO	N/A	N/A
Smart Battery		
External Smart Battery	N/A	N/A
OS Support		
OS Support	Windows 7, Windows 10	Windows 7, Windows 10
Power/Thermal Specs		
Power Requirement (Max)	24VDC / 1.17A	24VDC / 1.7A
Power Consumption (Max)	28 W	40W
Recommended Power Supply	40 W	60W
Heat Dissipation	96 BTU/hr	136 BTU/hr
Physical Information		
Mounting	Pedestal, VESA, Wall and Ceiling mount, Benchtop	Pedestal, VESA, Wall and Ceiling mount, Benchtop
Net Weight	32 Lbs/ 14.52 kg	32 Lbs / 14.52 Kg
Dimension (W x H x D)	14.51 x 12.42 x 4.09 inch 368.6 x 315.5 x 103.9 mm	14.51 x 12.42 x 4.09 inch 368.6 x 315.5 x 103.9 mm
Recommended Cutout Dimension (WxH)	N/A	N/A
Environmental		
Operating Temperature	0~50°C (32~122°F)	0~50°C (32~122°F)
Storage Temperature	-20~60°C (-4~140°F)	-20~60°C (-4~140°F)
Relative Humidity	0~95%	0~95%
IP/NEMA Rating	Meets NEMA 4X	Meets NEMA 4X
Certification	UL60950	UL60950

Dimension Drawing

Model Name: ARP-5515AX
Size Unit: inch(mm)



Ordering Information

Item	ARP-5515AX-E01-006
LCD Display	15.0" LCD / 1024 x 768
Touch Screen	5-Wire
Enclosure	Stainless Steel
CPU	Intel Celeron J1900 @ 1.99GHz / Atom E3845 @ 1.91GHz CPU
Memory	4GB DDR3
Storage	N/A
Remote Boot	ThinManager Ready
Power Supply	24VDC INPUT

Item	ARP-5515AX-H01-034-700	ARP-5515AX-H01-035-700
LCD Display	15.0" LCD / 1024 x 768	15.0" LCD / 1024 x 768
Touch Screen	5-Wire	5-Wire
Enclosure	Stainless Steel	Stainless Steel
CPU	Intel 2.6/3.4 GHz i7-6600U	Intel 2.6/3.4 GHz i7-6600U
Memory	16GB DDR4	16GB DDR4
Storage	2.5" SATA SSD	2.5" SATA SSD
Remote Boot	N/A	N/A
Power Supply	24VDC INPUT	DIN-Rail Power Supply